

SOLERO MAESTRO PRESTIGE

300X400 CM AND 400X400 CM

Are you looking for a large square parasol for the hospitality industry? One with a fade resistant cloth and a solid appearance?

Preferably one with a great quality and a low pricing that is easy to handle? The Solero Maestro Prestige parasol makes for a great offer for just that need!

The Maestro Prestige forms a perfect protection from the sun for the hospitality industry. This square parasol has a very large surface, but is handled just as easy as our other models. A waiter or waitress will be able to open or close this parasol in a flash.

Many patios home and abroad are covered by the Maestro Prestige. The special O'Bravia canvas is of a durable, heavy quality, colorfast and waterproof. The Maestro won't change colors after several seasons.

The frame is made of aluminum and if necessary, you can attach gutters against the rain. That way you and your guests can enjoy your patio under the waterproof sunshades.

The Maestro sunshade is equipped with a telescopic mast, this means that the mast lowers when it's opened and rises when it closes. A big advantage, especially for hospitality, is that furniture doesn't have to be moved, it can just stay in place.

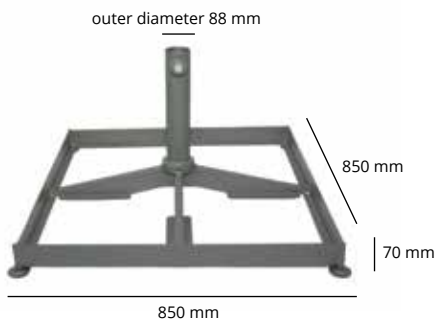
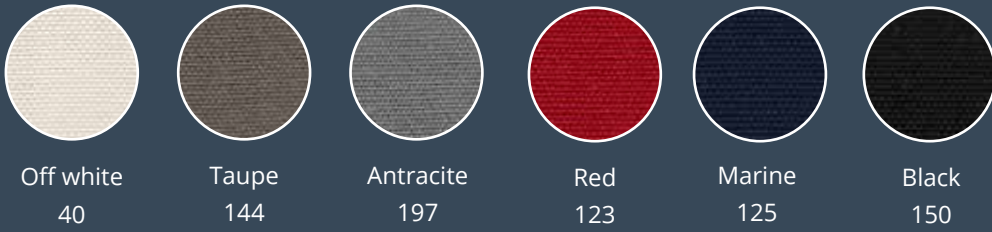
The Maestro Prestige always beats out the sun and is used a lot in hospitality. This solid sunshade can be opened effortlessly and you can easily place multiple against one another. Swiveling wheels and separate canvases are available as well.

The Maestro Prestige is perfect to get printed on as well; logo's and text will be legible and can be printed on in our shop, ask us for your options and pricing!

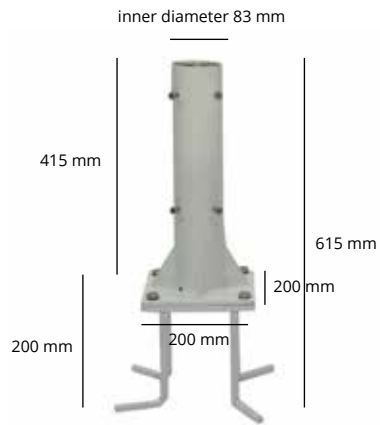
The Maestro is so easy to use that everyone can do it. Because of that, the control rod can be removed so that you alone can open or close the sunshade when necessary.



34 kg	300x400	400x400
A	295 cm	310 cm
B	207 cm	220 cm
C	372 cm	385 cm
D	59 cm	85 cm
E	20 cm	20 cm



Tile base



Ground anchor



4x swivel wheels optional



45 tot 85 mm

P2 heating

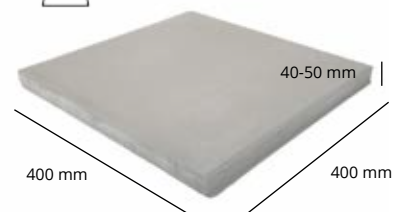


45 tot 89 mm

V4 lighting



14



Base is suitable for 8 tiles from 45 to 50 cm.



Specifications	
Free protection cover	✓
Cantilever parasol	x
Central Pole	✓
Telescopic system	✓
Light included	x
Fade-resistant cloth	✓
Pole in two parts	x
Tiltable	x
With rotating device	x
Side inclination	x
Valance	✓
Operating system	Winch
Weight cloth per m2	300 gram
Integrated rib ends	x
Number of ribs	8
Closes over the table	✓
Pole diameter	81 mm
Possibility of printing logo	✓



Item number	Description	Price in € excl. VAT	Price in € incl. VAT
544.33.color	Maestro 300x400 cm	1197,52	1449,00
544.44.color	Maestro 400x400 cm	1238,84	1499,00
535.63.50	Maestro tile base	238,84	289,00
550.44.50	Maestro ground anchor	238,84	289,00
535.64.99	Swivel wheels 4 pieces	74,38	90,00
	Heating	prices on page 74-75	prices on page 74-75
	Lighting	prices on page 74-75	prices on page 74-75