



SOLERO® FUERTO PRO

Solero's Fuerto represents strength and elegance. This suspended parasol is a heavy duty model. The stable Fuerto Pro is available in **300x300 cm** which allows it to easily be used in the hospitality industry, but also makes it suitable for placement in the garden.

Fuerto is simple and fast to operate, indispensable features on your overflowing terrace this summer. Solero's latest addition is unique due to its push-and-pull system, which allows you to open the parasol with a simple pull. Closing it is just as easy, by pulling the handle of the parasol down. This professional parasol is not tiltable or rotatable, but provides a stable roof for your terrace.



THE SUSPENDED PARASOL

The suspended parasol that is extremely suitable for intensive use in the hospitality sector. The strong arm easily holds the 9 m² cloth in place and protects you and your guests against the warm summer sun and a summer shower.

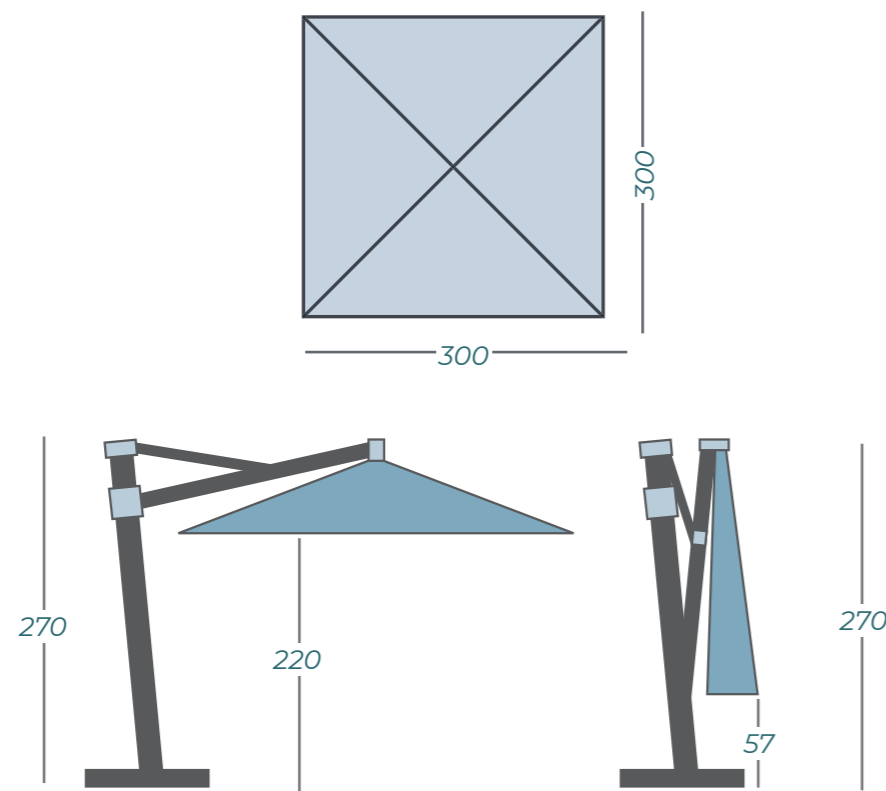
NO CORD

Opening and closing a parasol that resembles the Fuerto is often done with a winch. But not with this powerhouse; the system opens and closes by means of a gas spring, so turning a winch is a thing of the past. This way, you have more time to enjoy the wonderful weather.

FOUR-YEAR COLOUR WARRANTY

The O'Bravia cloth is waterproof, colourfast and UV-resistant, and comes standard with a four-year colour warranty.

DIMENSIONS*



CHOOSE FROM 5 CLOTH COLOURS



*These dimensions were measured without base or ground anchor

**This colour will be produced in limited numbers

SPECIFICATIONS & PRICES



DELIVERY FROM STOCK*

Item number	Description	Price in £ excl. VAT	Price in £ incl. VAT	Specifications
860.33.colour	Solero Fuerto 300x300 cm sunshade	1208,33	1450,-	Free protectioncover yes
842.84.99	Tile base Fuerto	324,17	389,-	Cantilever sunshade yes
542.85.99	Ground anchor Fuerto	95,-	114,-	Central pole no
835.50.994	Set of 4 castors 50 mm black	62,00	74,40	Telescopic system no

Lighting and heating can be found on pages 72-77
 Images of feet and anchors can be found on pages 86-87

A REFRESHING FRAME COLOUR



VIDEO



Light included	no
Fade-resistant cloth	yes
Pole in two parts	no
Tiltable	no
With rotating device	yes
Side inclination	no
Valance (without add. costs)	no
Operating system	push & pull
Weight cloth per m ²	300 grams
Integrated rib ends	yes
Number of ribs	8
Closes over the table	no
Pole diameter	app. 110mm

*While stocks last