

SOLERO BASTO

400X400 CM AND 500X500 CM

How does one look at your terrace from afar? The remarkable and robust appearance of the Basto radiates taste and quality. The unique character of this parasol, operated very smoothly with its detachable winch, adds a great deal of appeal.

A sleek design with straight lines, that also looks marvelous while looking upwards to its eight stylishly decorated ribs. And it's a big one, as the squarely designed Basto is available in the sizes 400 x 400 cm. and 500 x 500cm. Thus your guests enjoy your class all together, long after the sun has set.

The colorfast O'Bravia canvas with 300 grams thickness is especially robust and guarantees years of worry- and maintenance free enjoyment. This large surface is easy to operate. Sometimes style and efficiency do go very well together.

Even after several seasons the sunshade will not discolor. The frame is made of a heavy aluminum construction and if you require it can have gutters attached to protect against the rain.

Would you like your company name or logo in the spotlight? That's possible. The canvas of the Basto hospitality sunshade is perfect for printing on. The Basto is equipped with a telescopic mast, that means the mast slides down when being opened, and up when being closed. This allows the sunshade to open and close above a table. A large advantage for hospitality entrepreneurs because tables and chairs don't have to be constantly moved when opening or closing the sunshade.

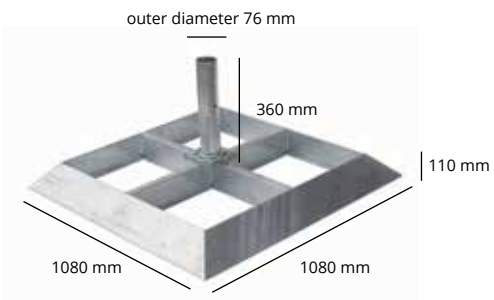
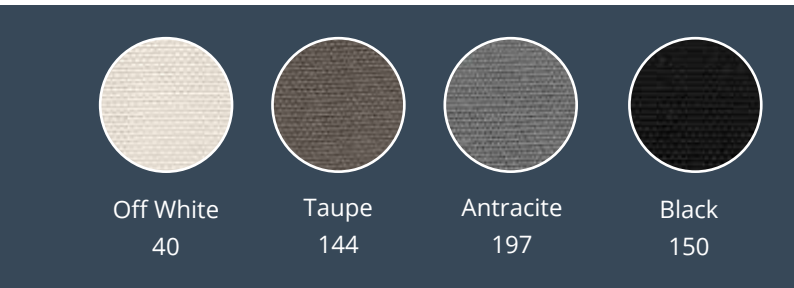
The frame of the Solero Basto is made out of high quality aluminum. It's relatively lightweight and is very strong, the material also lasts against corrosion and is recyclable.

The control rod allows the operation of the winch, it applies pressure to the cables or relieves it. By why a removable control rod? Especially in hospitality it's a good idea to remove the control rod from the sunshade so it can't easily be stolen, or have unauthorized people operate the sunshade.

When purchasing the Basto you'll receive a gray protective cover free of charge, which is equipped with a dirt- and water resistant coating and a modest logo.



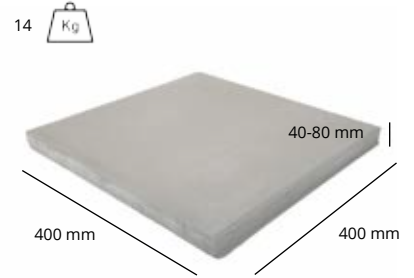
47-58 kg	400x400	500x500
A	295 cm	306 cm
B	238 cm	238 cm
C	390 cm	423 cm
D	101 cm	70 cm



Tile base



Ground anchor



Base is suitable for 12 tiles from 45 to 50 cm.



P2 heating



V4 lighting



Specifications	
Free protection cover	✓
Cantilever parasol	x
Central Pole	✓
Telescopic system	✓
Light included	x
Fade-resistant cloth	✓
Pole in two parts	x
Tiltable	x
With rotating device	x
Side inclination	x
Valance	x
Operating system	Winch
Weight cloth per m2	300 gram
Integrated rib ends	x
Number of ribs	8
Closes over the table	✓
Pole diameter	86 mm
Possibility of printing logo	✓

Item number	Description	Price in € excl. VAT	Price in € incl. VAT
574.44.color	Basto 400x400 cm	1896,69	2294,99
574.55.color	Basto 500x500 cm	2107,44	2550,00
560.11.50	Tile base Basto	425,62	515,00
574.60.50	Groundanchor Basto	238,84	289,00
	Heating	see pages 74-75	see pages 74-75
	Lighting	see pages 74-75	see pages 74-75