



SOLERO® P7 PRO

The Solero Prostor P7 wall parasol is available in four sizes: two square editions of **250cm and 300cm** and a round version with a size of **350cm or 420cm diameter**. No matter which size you choose, the P7 wall parasol is always easily handled.

With the integrated gas spring supporting you, you'll open and collapse the parasol in a flash. Despite of its size, the Solero Prostor P7 is very easy to move left or right. As the weight of this space saving parasol is smartly shared between the top and bottom rotating brackets, you'll instantly move the shadow to where you want it to be. The canvas is 100% acrylic and is painted in mass, it weighs 290 grams per square meter and has a colorfastness of 7-8 on a scale of 8. Acrylic is water resistant and filters out 95-100% of UV radiation, expressed as UPF 50+. The canvas is washable and if necessary easy to replace.



SUPER-LIGHT OPERATION

The controls are extra light thanks to the steel gas spring that compensates the weight of the parasol. Do you want to use the parasol in a wet- or sea climate? Then the optional stainless steel gas spring is definitely recommended.

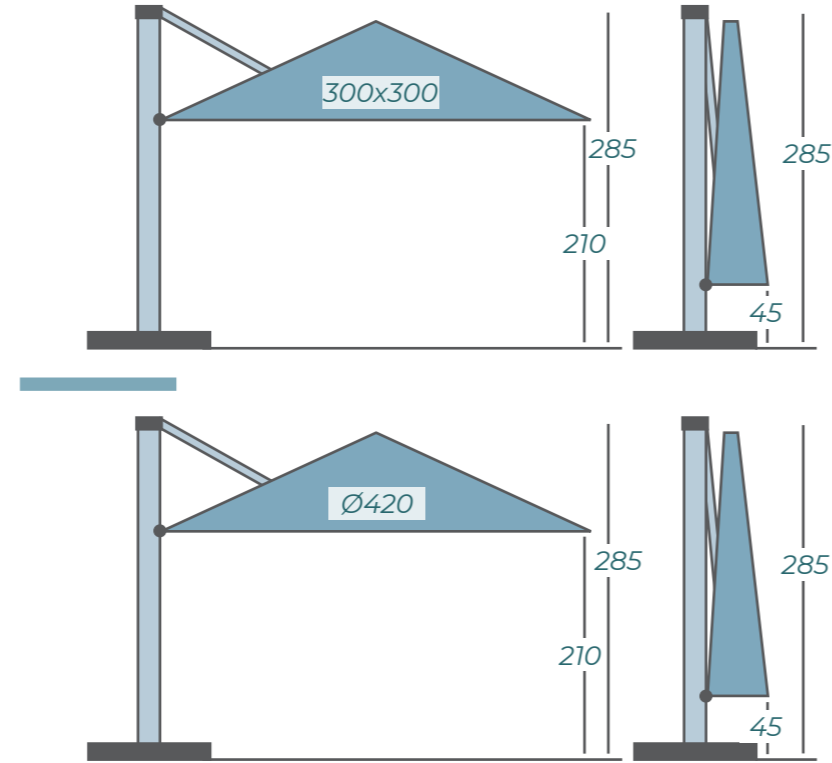
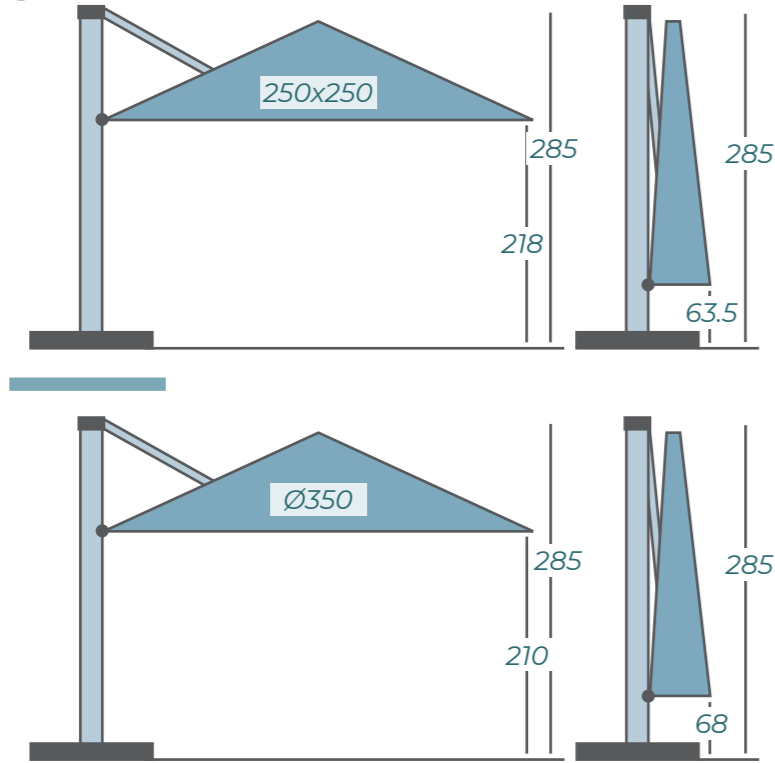
CHOOSE FROM 5 FRAME COLOURS

The framework for this parasol is RAL 9007 by default, this is a gray structured lacquer. It's possible to get a black or white frame in case you need it, but this will have an additional cost and a longer lead time. You'll have the choice between RAL9007 (gray), RAL 9016 (white matte) or RAL 9005 (black, matte), Alucopper and Alupolished. The Prostor P7 can be mounted to the wall with 2 adjustable brackets. The P7 wall parasol has an optimal turn when mounted on a corner. The locking axis helps lock the parasol down so it doesn't turn in the wind.

EASILY MANEUVERABLE

Move your parasol around effortlessly thanks to the swiveling wheels with brakes, this is only available for the P7 Uno parasol. Optional for the Prostor P7 tile pedestal is an aluminum cover, lacquered in the pole's color for a tile pedestal of 90x90 or 100x100 cm.

DIMENSIONS

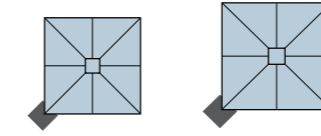


CHOOSE FROM 12 CLOTH COLOURS

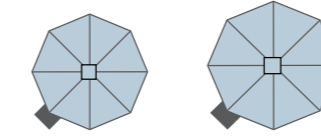


POSSIBLE SETUPS

250x250 or 300x300 per Cloth



Ø350 or Ø420 per Cloth



VIDEO



3 WEEKS

Specifications

Free protectioncover	no
Cantilever sunshade	yes
Closes towards the pole	yes
Light included	optional
Fade-resistant cloth	yes 7-8/-
Pressured gas spring	yes
Tiltable	no
With rotating device	yes
Waterproof cloth	yes
Operating system	One-move
Weight cloth per m ²	290 grams
Number of ribs	8
Possibility of logo printing	yes
Closes over the table	yes
Connectable with gutters	yes
Electrically operated	no

CHOOSE FROM 5 FRAME COLOURS



PRICES P7 PRO 1/2



Item number	Type	Description	RAL 9007 excl. VAT	RAL 9007 incl. VAT	Black/White excl. VAT	Black/White incl. VAT	Polished & Copper excl. VAT	Polished & Copper incl. VAT
p71.3500.colour	P7 Uno	Single pole + 1 sunshade RND	1145,-	1374,00	1175,-	1410,00	1430,-	1716,00
p71.2525.colour	P7 Uno	Single pole + 1 sunshade SQR	1115,-	1338,00	1145,-	1374,00	1390,-	1668,00
p71.4000.colour	P7 Uno	Single pole + 1 sunshade RND XL	1410,-	1692,00	1450,-	1740,00	1735,-	2082,00
p71.3030.colour	P7 Uno	Single pole + 1 sunshade SQR XL	1330,-	1596,00	1370,-	1644,00	1635,-	1962,00
p7m.3500.colour	P7 WALL	Single pole WALL + rotating wallbrackets + 1 sunshade RND	1260,-	1512,00	1290,-	1548,00	1545,-	1854,00
p7m.2525.colour	P7 WALL	Single pole WALL + rotating wallbrackets + 1 sunshade SQR	1230,-	1476,00	1260,-	1512,00	1505,-	1806,00
p7m.4000.colour	P7 WALL	Single pole WALL + rotating wallbrackets + 1 sunshade RND XL	1525,-	1830,00	1565,-	1878,00	1850,-	2220,00
p7m.3030.colour	P7 WALL	Single pole WALL + rotating wallbrackets + 1 sunshade SQR XL	1445,-	1734,00	1485,-	1782,00	1750,-	2100,00
Item number	Type	Description	excl VAT	Incl. VAT				
p7.9090.00	Bev.	Warm galvanised tile base 90x90cm 300° + rotating device	450,-	540,00				
p7.1010.00	Bev.	Warm galvanised tile base 100x100 300° + rotating device	475,-	570,00				
p7.9000.00	Bev.	Ground anchor 300° + rotating device	265,-	318,00				
p67.100.colour	Add.	Alu cover for tile base 90x90 or 100x100 cm	240,-	288,00	260,-	312,-		

PRICES P7 PRO 2/2

Item number	Type	Description	excl VAT	Incl. VAT
p671.50.50	Add.	LED light UNO + remote + dimmable module	350,-	420,-
Item number	Type	Description	excl VAT	incl. VAT
p6hm25.colour	Add.	Protectioncover Surlast - WALL	120,-	144,00
p6hu25.colour	Add.	Protectioncover Surlast - UNO	160,-	192,00
p6hm30.colour	Add.	Protectioncover XL Surlast - WALL	150,-	180,00
p6hu30.colour	Add.	Protectioncover XL Surlast - UNO	190,-	228,00
Item number	Type	Description	excl VAT	incl. VAT
p67.999.50	Add.	Swivelwheels with brake (per 4 pieces) exclusively for UNO-version	100,-	120,00
p67.150.50	Add.	Heater 1500W, not for wall mounting	300,-	360,00
p67.101.50	Add.	Single socket for heating P7	40,-	48,00

Lighting and heating can be found on pages 72-77
Images of feet and anchors can be found on pages 86-87

**At the time of printing, the Prostor prices 2020 were not known yet. These can be requested in a separate document. We apologize for the inconvenience