



SOLERO® P6 PRO

The Solero Prostor is much more than just a parasol, it's an easily retractable canopy with a lot of features. The setup consists of a central pole which can accommodate up to four parasols. Using the patented control system, including a gas spring, the parasols are easily collapsed. You can open or collapse every cloth individually. Possible sizes are **250x250 cm, 300x300 cm, 350 cm round** or **420 cm round**

Solero P6 Pro comes with a sound aluminum mast that allows 1, or up to 4 canvases to be mounted. Opening and closing is as simple as it's genius. With the one-move system the parasol slides into the open position. You don't have to be really strong to open this! The canvas is 100% acrylic and is painted in mass, it weighs 290 grams per square meter and has a colorfastness of 7-8 on a scale of 8. Acrylic is water resistant and filters out 95-100% of UV radiation, expressed as UPF 50+. The canvas is washable and if necessary easy to replace.

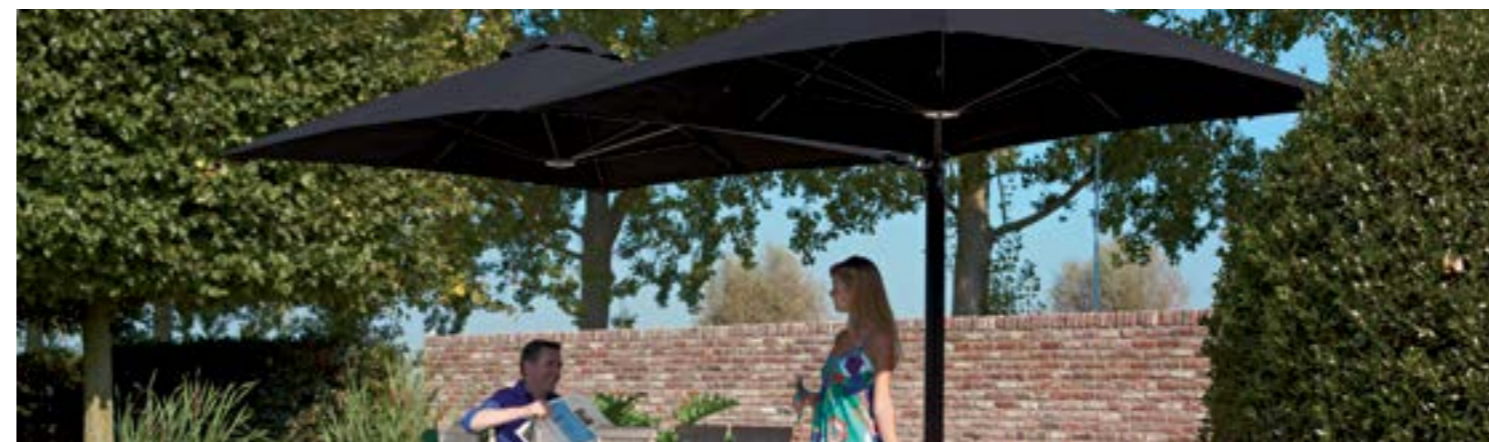


A PUSH IN THE RIGHT DIRECTION

The controls are extra light thanks to the stainless steel gas spring that compensates the weight of the parasol. Do you want to use the parasol in a wet- or sea climate? No problem, that's what the stainless steel gas spring is designed for.

ON THE GROUND OR ON THE WALL

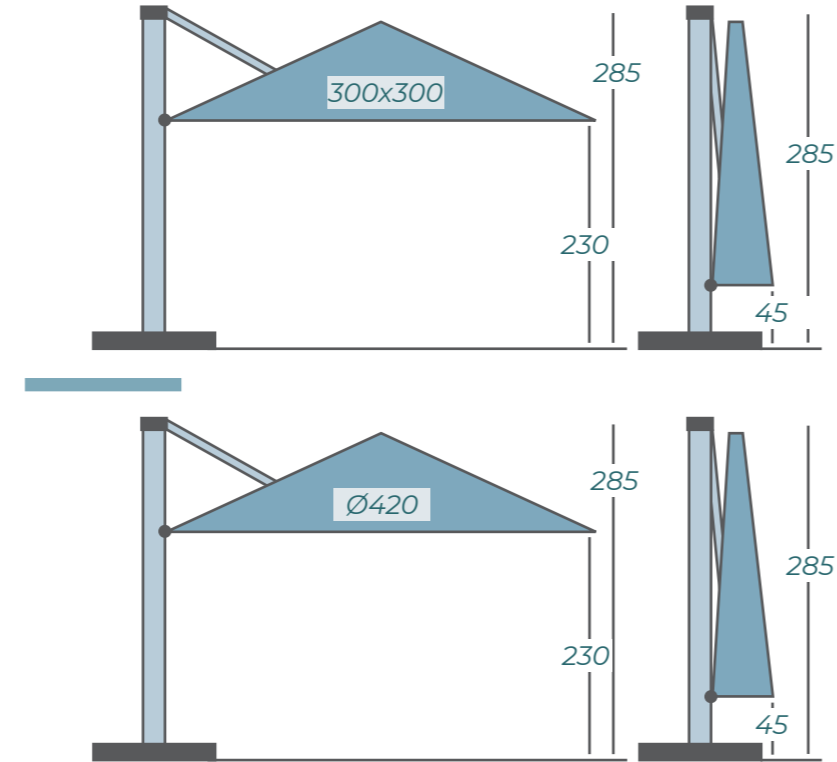
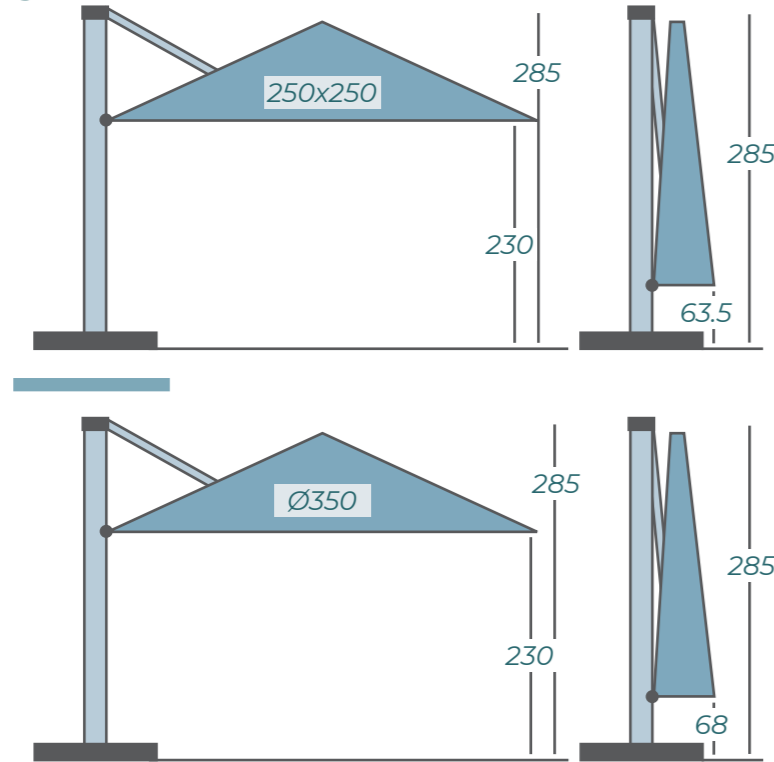
This parasol is available as a wallmounted parasol in single or dual variations. The pole can be easily mounted to the wall with 2 brackets. That way you can enjoy a stylish parasol with a pole or tile pedestal. Unfortunately this isn't possible for our round variations. The framework for this parasol is RAL 9007 by default, this is a gray structured lacquer as shown in the photo. It's possible to get a black or white frame in case you need it, but this will have an additional cost and a longer lead time. You'll have the choice of RAL 9016 (white matte) or RAL 9005 (black, matte) and Alucopper.



FLEXIBLE IN THE HIPS

Move your parasol around effortlessly thanks to the swiveling wheels with brakes, this is only available for the P6 Uno parasol. Optional for the Prostor p6 tile pedestal is an aluminum cover, lacquered in the pole's color for a tile pedestal of 90x90 or 100x100 cm.

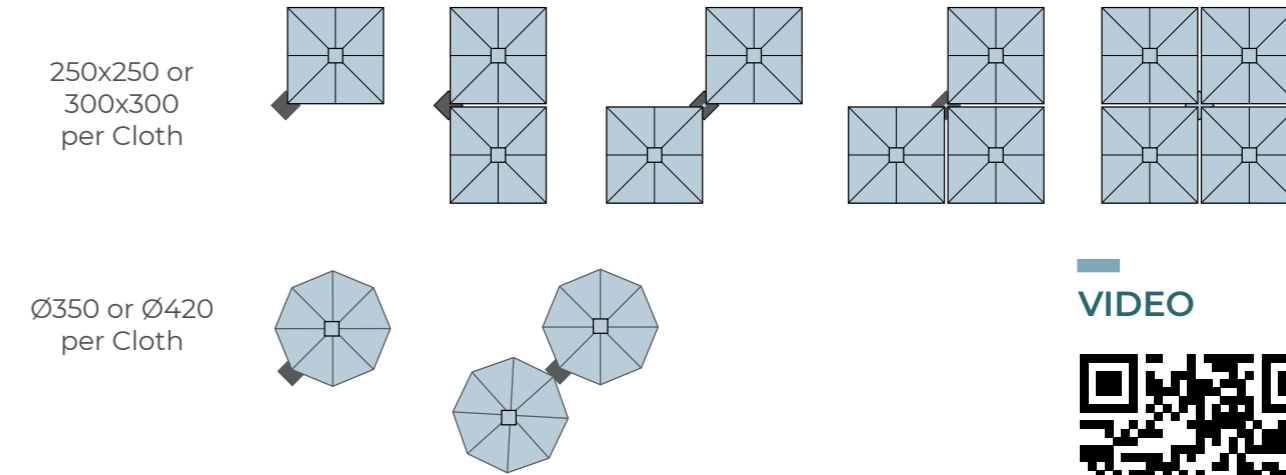
DIMENSIONS



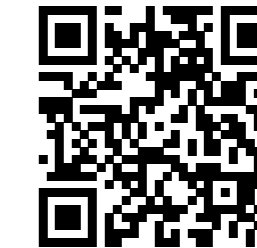
CHOOSE FROM 11 CLOTH COLOURS



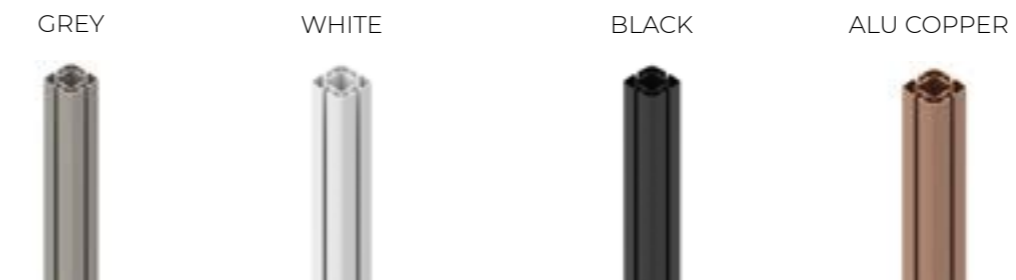
POSSIBLE SETUPS PRICES ON REQUEST



VIDEO



CHOOSE FROM 4 FRAME COLOURS



ON REQUEST

Specifications	
Free protectioncover	no
Cantilever sunshade	yes
Closes towards the pole	yes
Light included	optional
Fade-resistant cloth	yes 7-8/-
Pressured gas spring	yes
Tiltable	no
With rotating device	no
Waterproof cloth	yes
Operating system	One-move
Weight cloth per m ²	290 grams
Number of ribs	8
Possibility of logo printing	yes
Closes over the table	yes
Connectable with gutters	yes
Electrically operated	Quattro 250